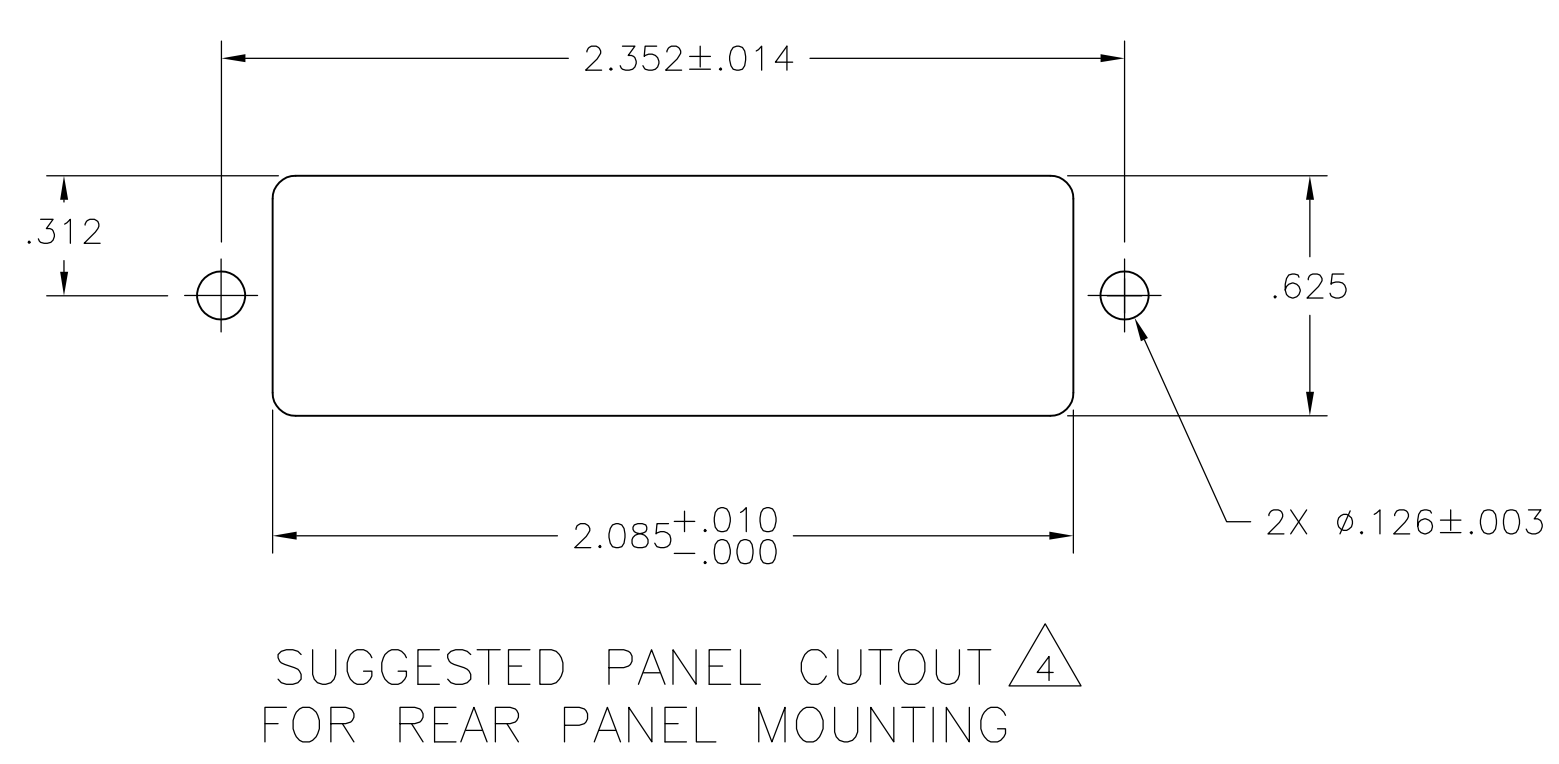
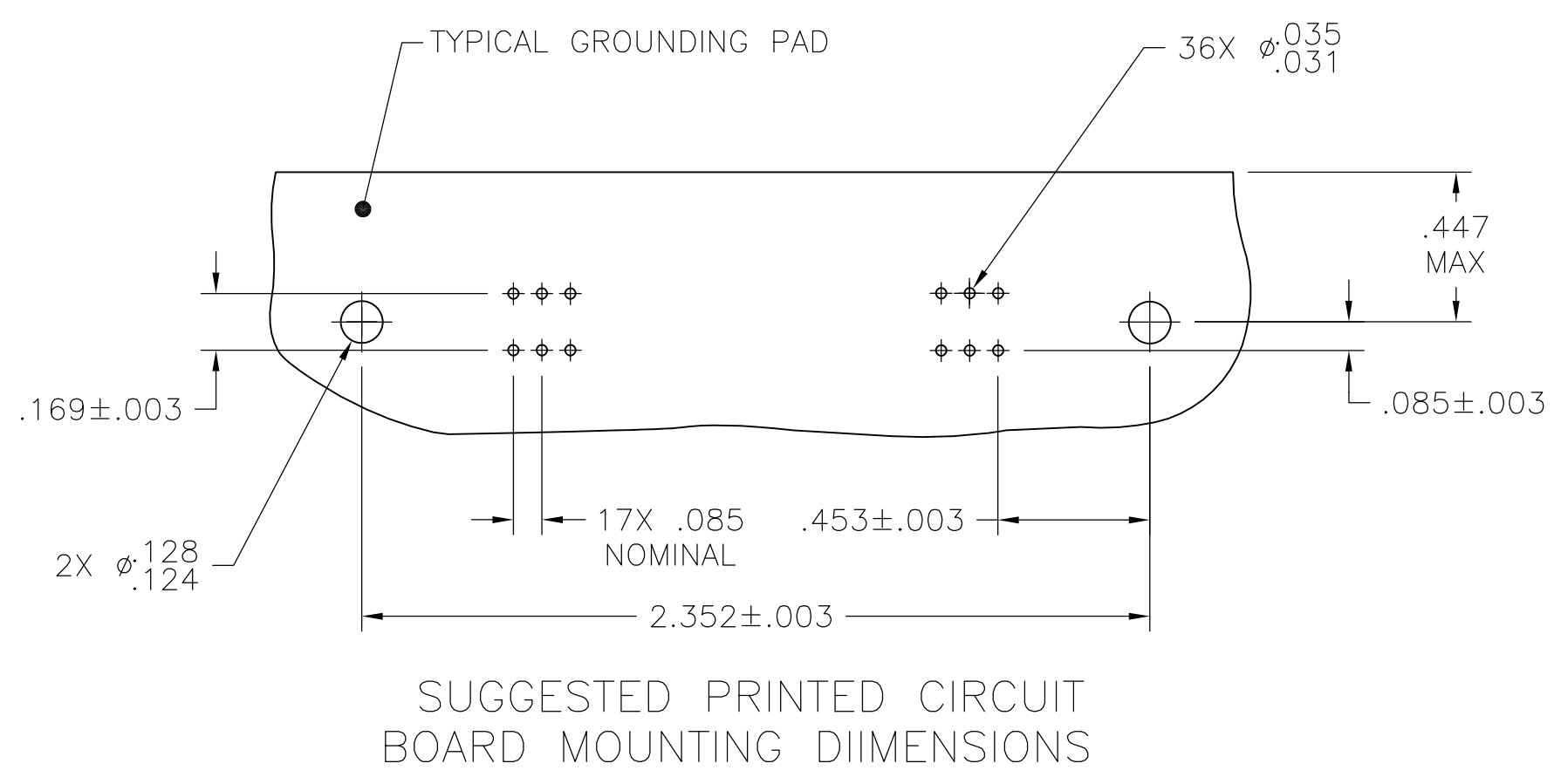
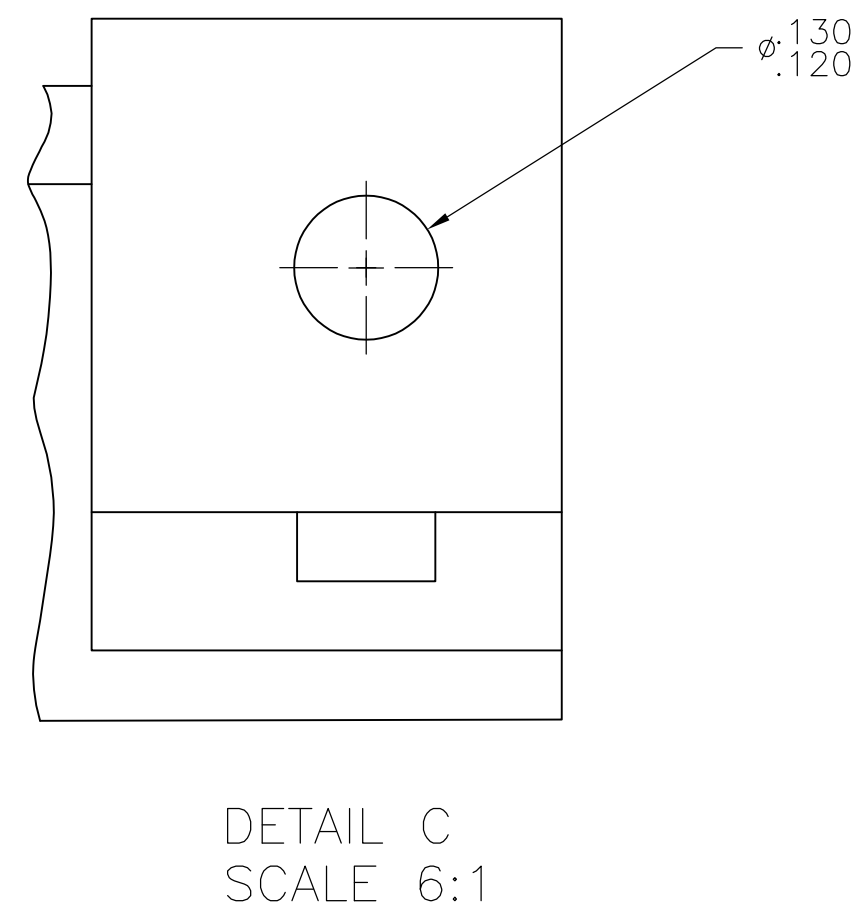
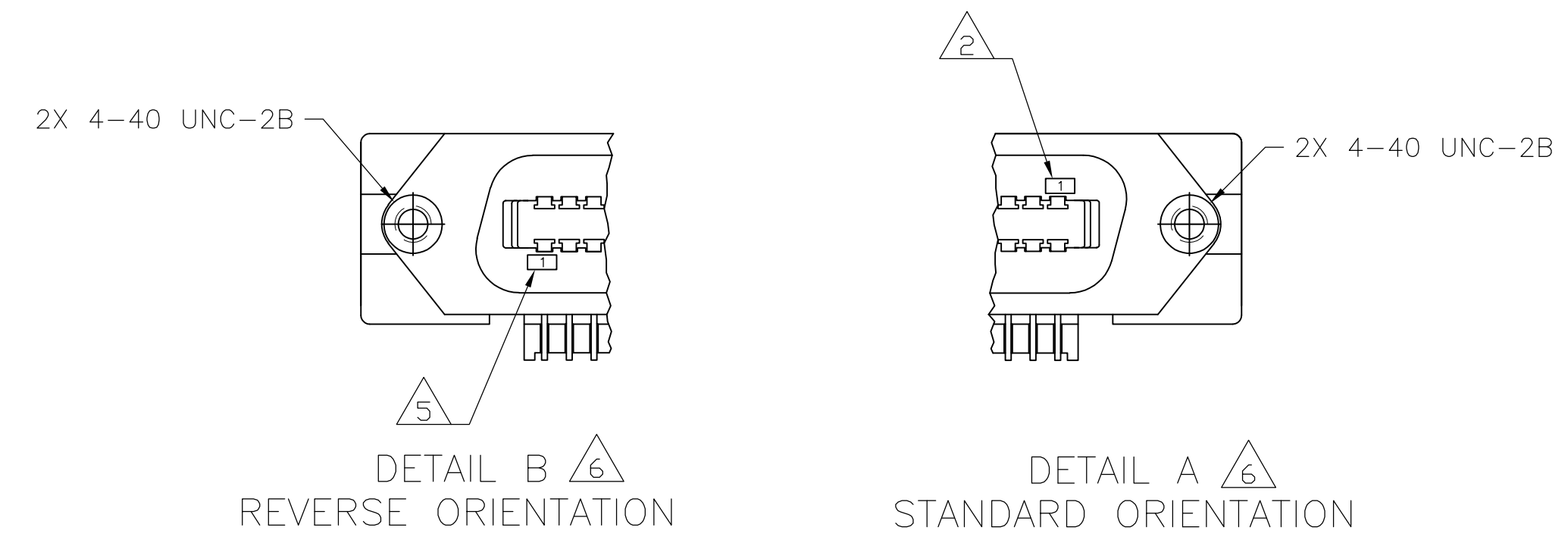
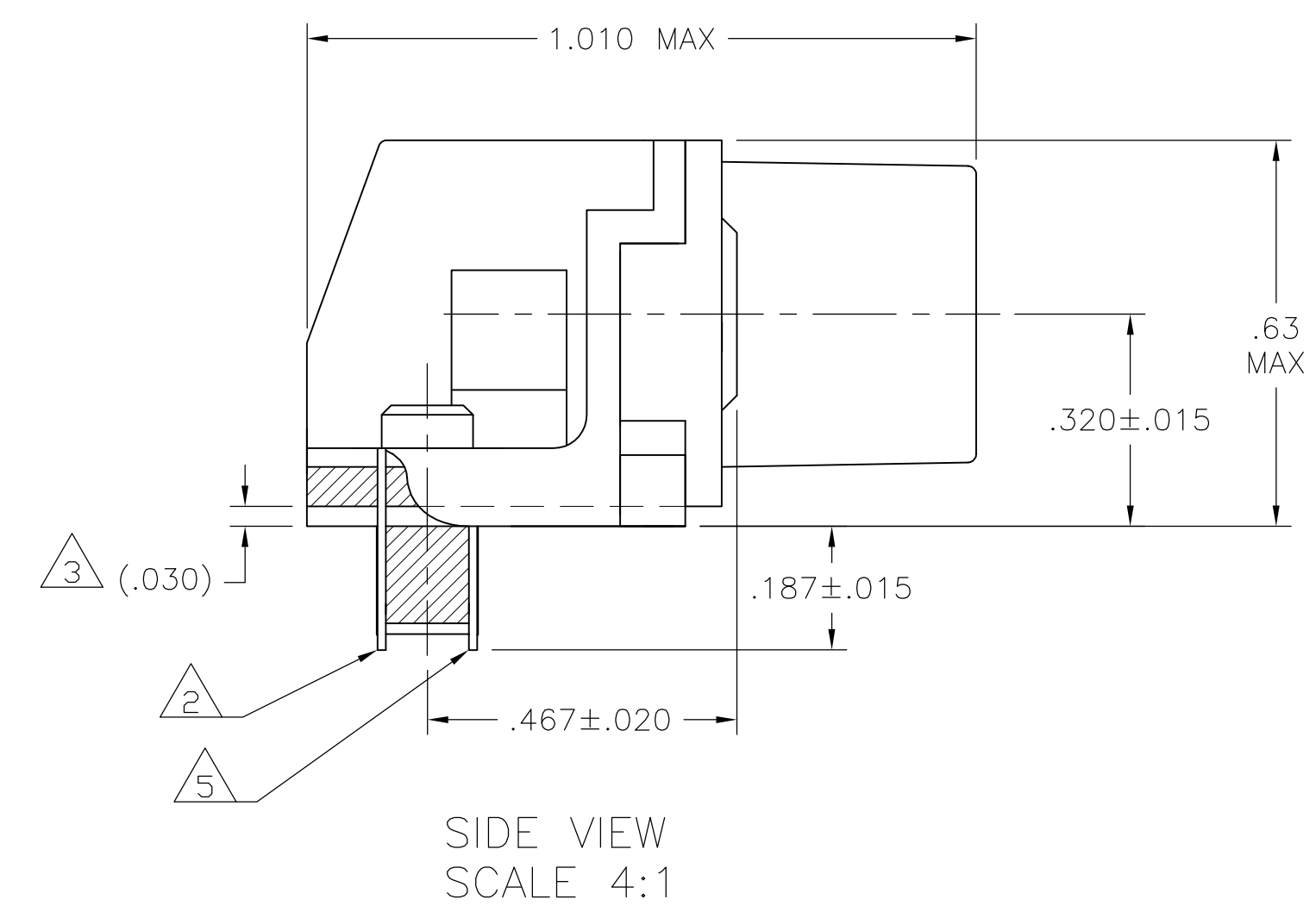
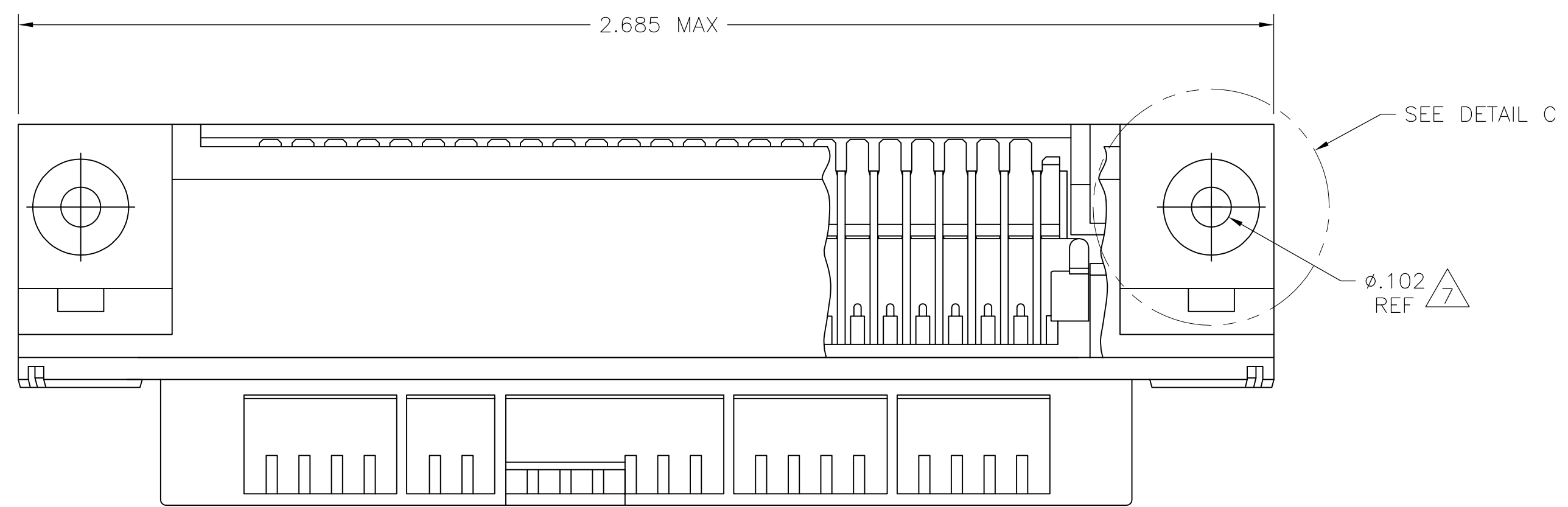


LOC		DIST		REVISIONS			
GP	00	REV	DATE	BY	CHK	APP	REV
D		REVISED PER ECO-08-007327	08APR08	BM	WM		
D1		REVISED PER ECO-10-000444	19JAN10	KK	HMR		



- 1 MATERIAL:
HOUSING, BRACKET, ADAPTER COMB AND PLATE: THERMOPLASTIC, BLACK, 94V-0 RATED.
TERMINALS - HIGH STRENGTH COPPER ALLOY PLATED WITH EITHER .000030 MIN GOLD PLATE OR GOLD FLASH OVER PALLADIUM NICKEL PLATE, .000030 MIN TOTAL ON MATING SURFACE. .000120 MIN TIN PLATE ON TAILS. ALL OVER .000050 MIN NICKEL UNDERPLATE OVER ENTIRE TERMINAL.
- 2 TERMINAL 1 IS LOCATED IN THIS ROW FOR 5552742-1 & -3.
- 3 TERMINAL SUPPORT PLATE CLEARANCE FOR TERMINAL STRAIN RELIEF AND FLUX REMOVAL.
- 4 PANEL THICKNESS RANGE: .062 MAX.
- 5 TERMINAL 1 IS LOCATED IN THIS ROW FOR 5552742-2.
- 6 DETAILS A & B ARE VIEWED FROM MATING SIDE OF RECEPTACLE ASSEMBLY.
- 7 FOR USE WITH A NO. 4 BT TYPE SELF TAPPING SCREW.
- 8 OBSOLETE PARTS: OBSOLETE CIS STREAMLINING PER D.RENAUD/D.SINISI



TYPE OF MOUNTING	DESCRIPTION	PART NUMBER
8 OBSOLETE THRU BOLT SEE DETAIL C	SEE DETAIL A	5552742-3
OBSOLETE SELF-TAPPING	SEE DETAIL B	5552742-2
SELF-TAPPING	SEE DETAIL A	5552742-1

THIS DRAWING IS A CONTROLLED DOCUMENT.

DIMENSIONS: INCHES	TOLERANCES UNLESS OTHERWISE SPECIFIED:	0 PLC ± -	1 PLC ± -	2 PLC ± -	3 PLC ± -	4 PLC ± -	ANGLES ± -
MATERIAL		FINISH		SIZE		WEIGHT	
1		1		A1		-	

DWN: BJ MCMMASTER 10AUG05
 CHK: W MILLHIMES 10AUG05
 APD: M WALMSEY 10AUG05
 NAME: Tyco Electronics Corporation, Harrisburg, PA 17105-3608
 PRODUCT SPEC: ASSEMBLY RECEPTACLE, 36 POSITION, RIGHT ANGLE, PRINTED CIRCUIT BOARD (CHAMP-LOK, THRU-BOLT & SELF-TAPPING)
 APPLICATION SPEC: -
 SCALE: 2:1
 SHEET: 1 of 1
 REV: D1